







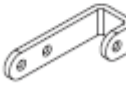


| | | |
|---|---|----|
| A |  | 16 |
| B |  | 13 |
| C |  | 22 |
| D |  | 16 |
| E |  | 08 |
| F |  | 16 |

| | | |
|---|--|----|
| G |  | 01 |
| H |  | 06 |
| I |  | 04 |
| J |  | 02 |
| L |  | 10 |
| M |  | 01 |

Replacement Parts & Limited Lifetime Warranty

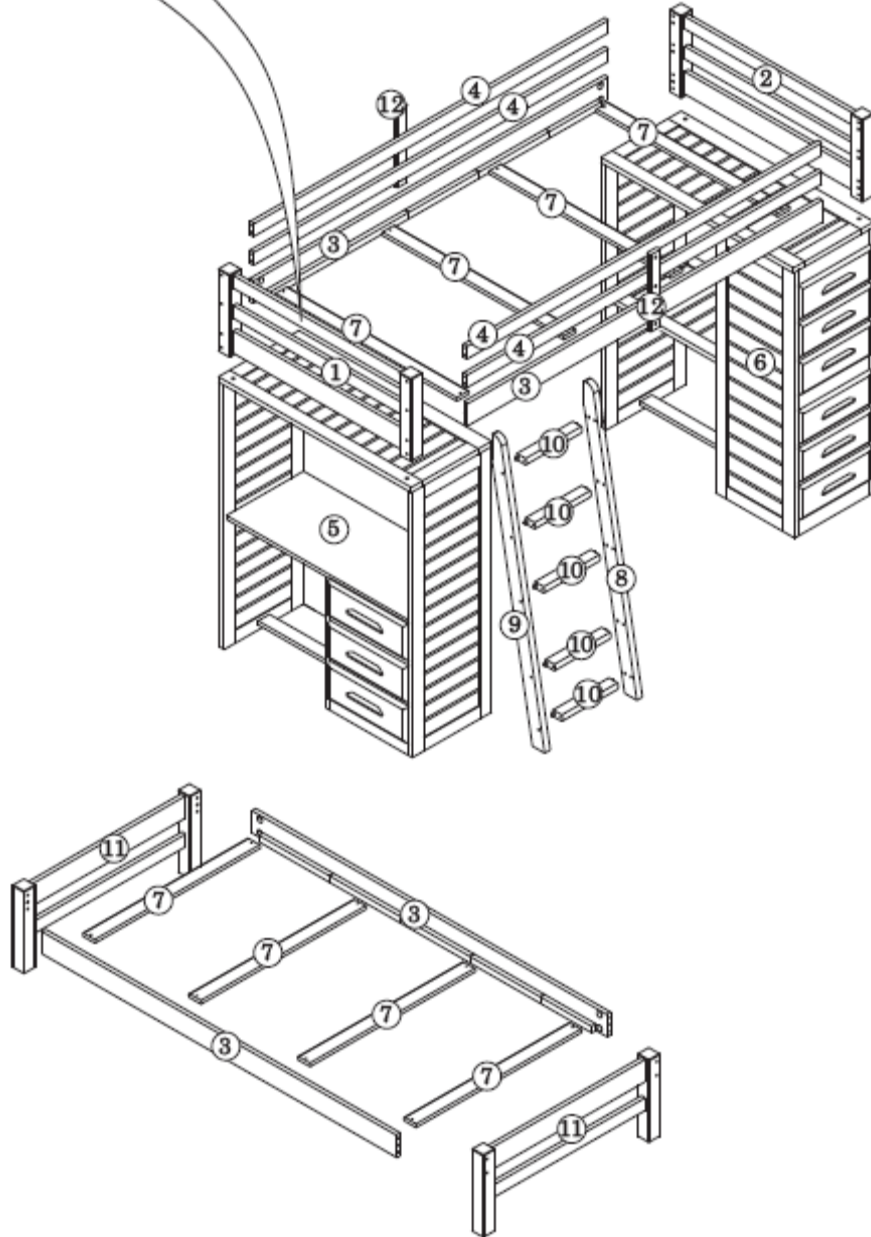
Harden Mfg will replace any component part free of charge for 1 full year via UPS freight collect. In addition, Harden will replace any component part for 50% of the then prevailing retail price plus freight for the lifetime of the product, unless the product has been discontinued from our line. For service, mail your request to: Harden Mfg, Inc. 87155 State Hwy 13, Haleyville, AL 35565

⚠ WARNING

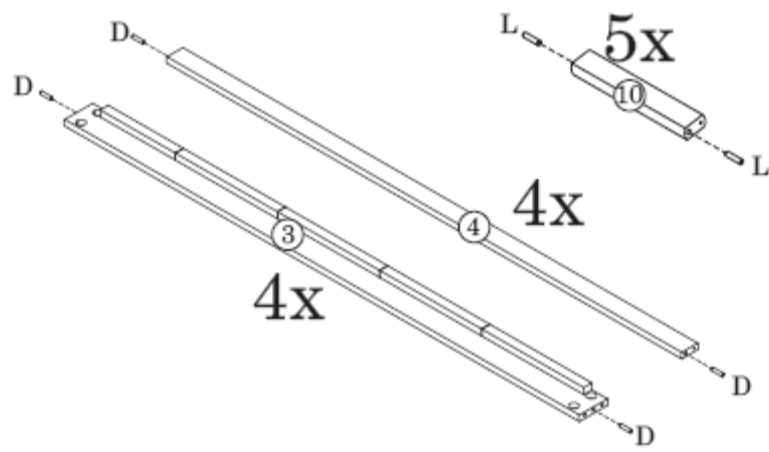
To help prevent serious or fatal injuries from entrapment or falls:

- Never allow a child under 6 years on upper bunk.
- Use only mattress which is 74"-75" long and 37 1/2"-38 1/2" wide on upper bunk.
- Ensure thickness of mattress and foundation combined does not exceed 8" and surface of mattress is at least 5" below upper edge of guardrails.
- Strangulation hazard - Never attach or hang items to any part of the bunk bed that are not designed for use with the bed; for example, but not limited to, hooks, belts, and jump ropes.
- Use guardrails on both sides of upper bunk.
- Prohibit horseplay on or under bed(s).
- Prohibit more than one person on upper bunk.
- Use ladder for entering and leaving upper bunk.

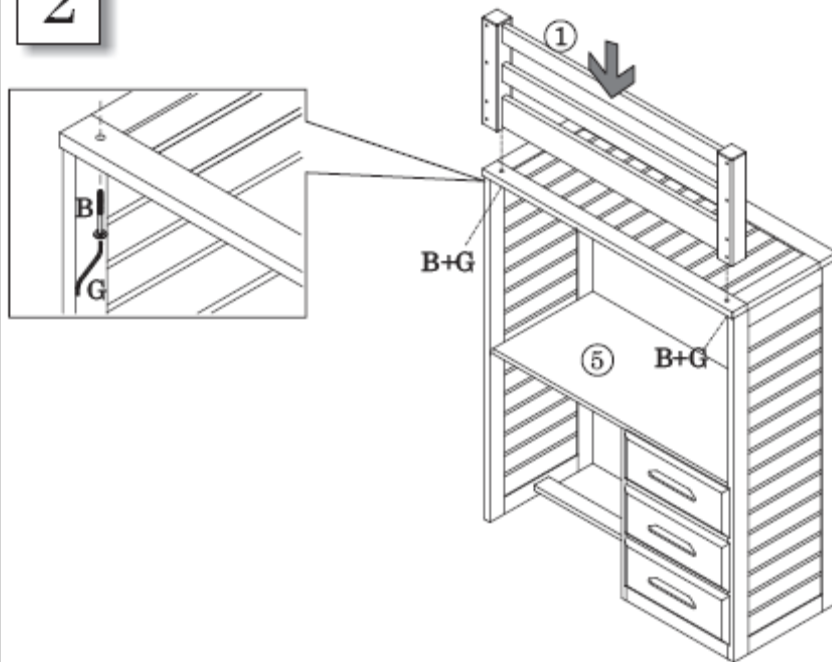
DO NOT REMOVE THIS LABEL



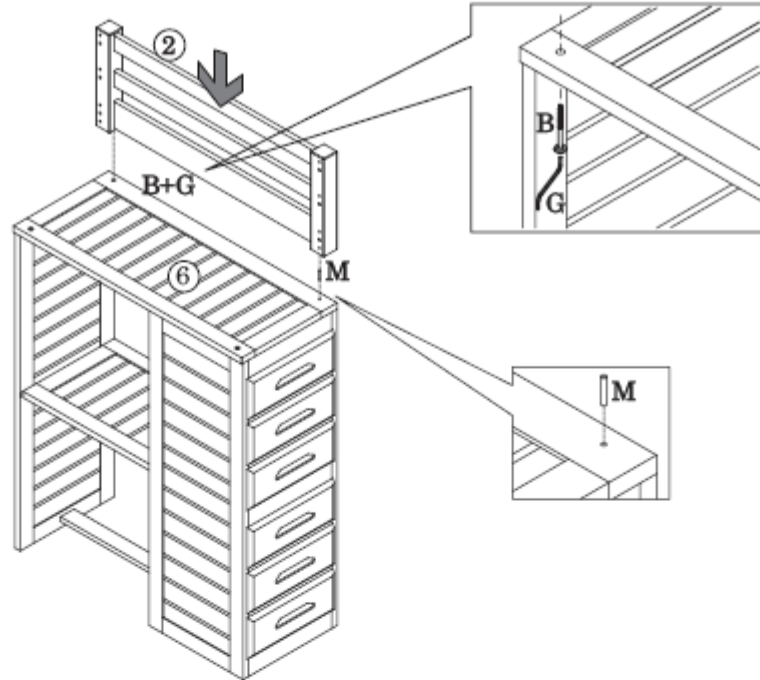
1



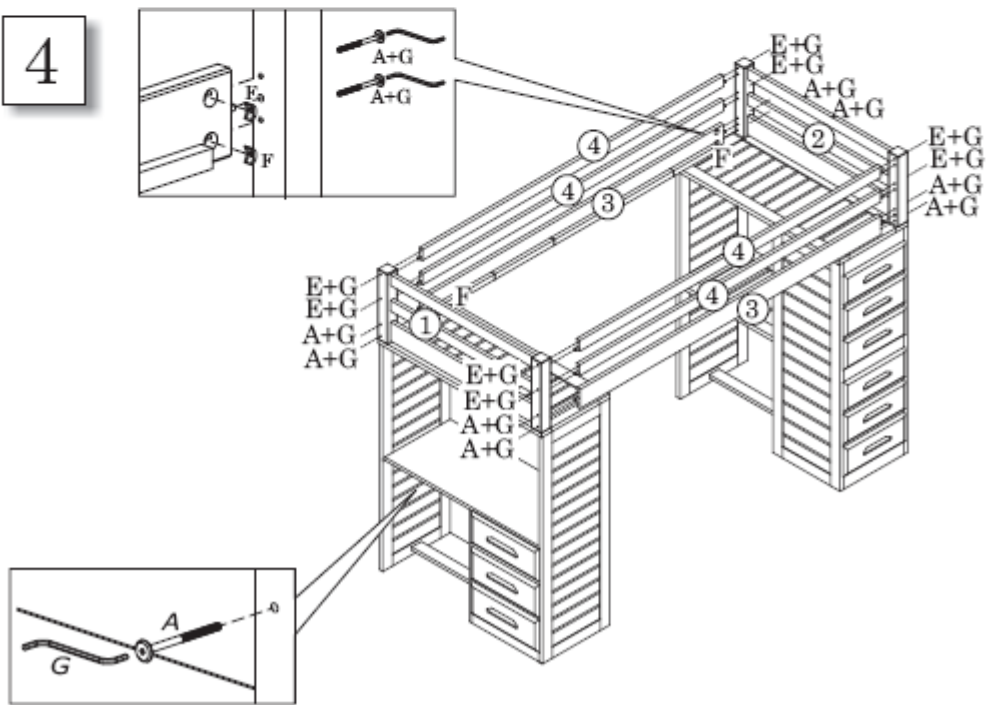
2



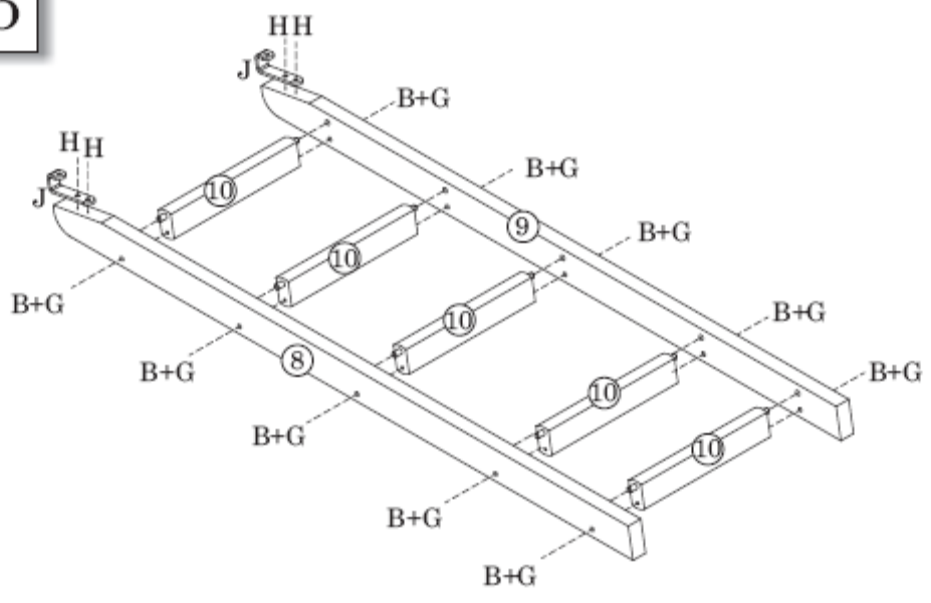
3



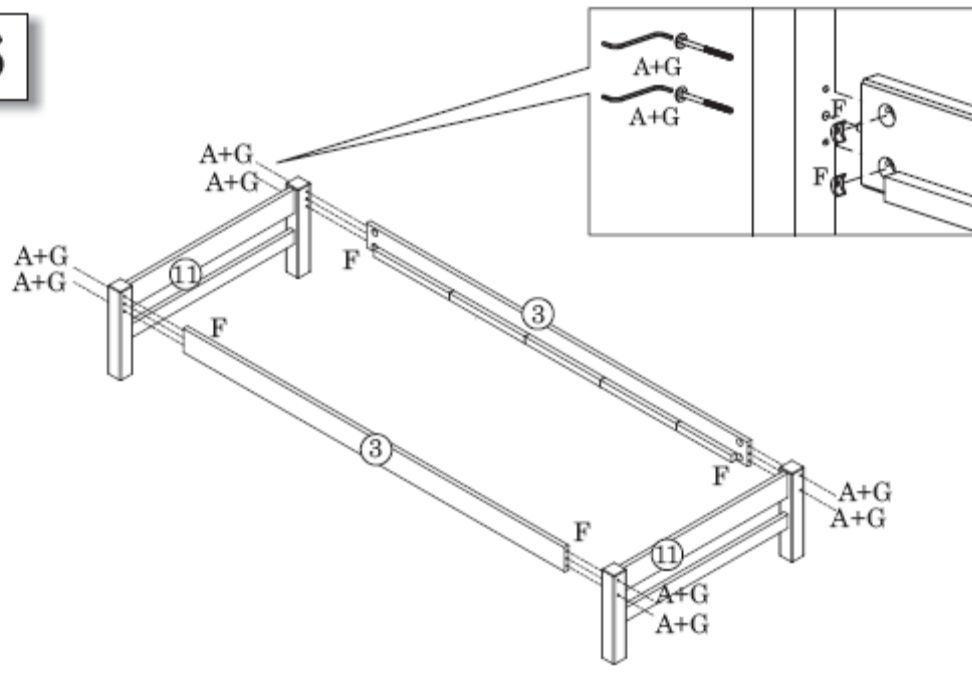
4



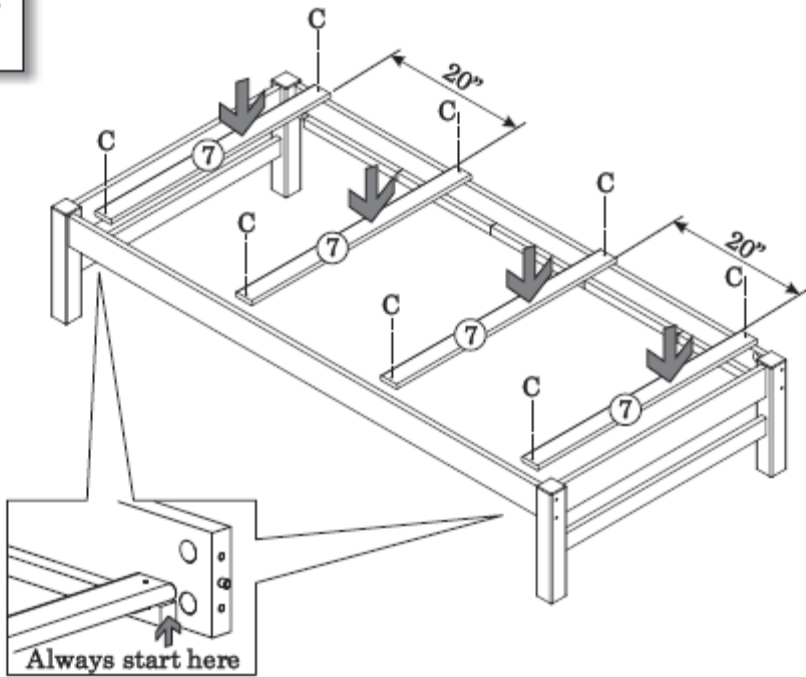
5



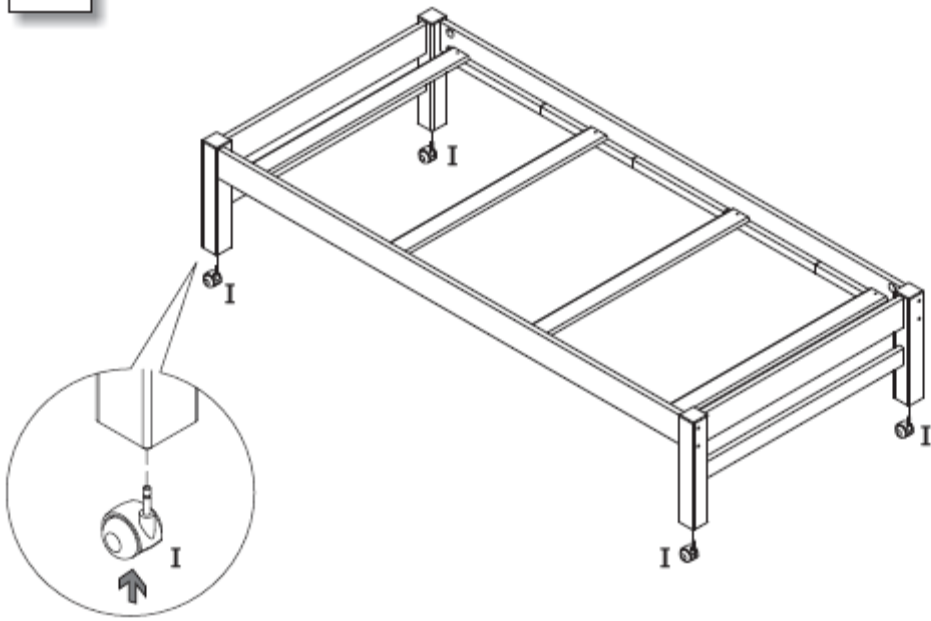
6



7



8



9

Metal bracket and screws
included in the drawer

