



SAFETY FIRST!!!!

7033 Stair Stepper Bunk Bed

All of Harden's Bunkbeds were designed and manufactured with your child's safety as our top priority. Their unparalleled strength is a bi-product of the safety design. Our bunks meet all compliance with ASTM F 1427-07 "Standard Consumer Safety Specification for Bunk Beds" and Code of Federal Regulations (CFR) 1213 "Safety Standards for Entrapment Hazards in Bunk Beds" and (CFR) 1513 "Requirements for Bunk Beds".

Safety is a cooperative effort between us as the manufacturer, and you as a guardian. Please read and consider the warnings listed below when choosing a mattress and discussing rules of use with your child.

SAFETY WARNINGS

1. Follow the information on the warnings appearing on the upper bunk end structure and on the carton. Do not remove warning label from bed.
2. Always use the recommended size mattress or mattress support, or both, to help prevent the likelihood of entrapment or falls.
3. Surface of mattress must be at least 5 inches (127 mm) below the upper edge of guardrails.
4. Do not allow children under 6 years of age to use the upper bunk.
5. Prohibit more than one person on the upper bunk.
6. Periodically, check and ensure that the guardrail, ladder, and other components are in their proper position, free from damage, and that all connectors are tight.
7. Do not allow horseplay on or under the bed and prohibit jumping on the bed.
8. Always use the ladder for entering and leaving the upper bunk.
9. Do not use substitute parts. Contact the manufacturer or dealer for replacement parts.
10. Use of a nightlight may provide added safety precaution for a child using the upper bunk.
11. Always use guardrails on both long sides of the upper bunk. If bunk bed will be placed next to the wall, the guardrail that runs the full length of the bed should be placed against the wall to prevent entrapment between the bed and wall.
12. The use of water or sleep flotation mattresses is prohibited.
13. Keep these instructions for future reference.

STRANGULATION HAZARD—Never attach or hang items to any part of the bunk bed that are not designed for use with the bed; for example, but not limited to, hooks, belts and jump ropes.

SIZE OF MATTRESS AND FOUNDATION

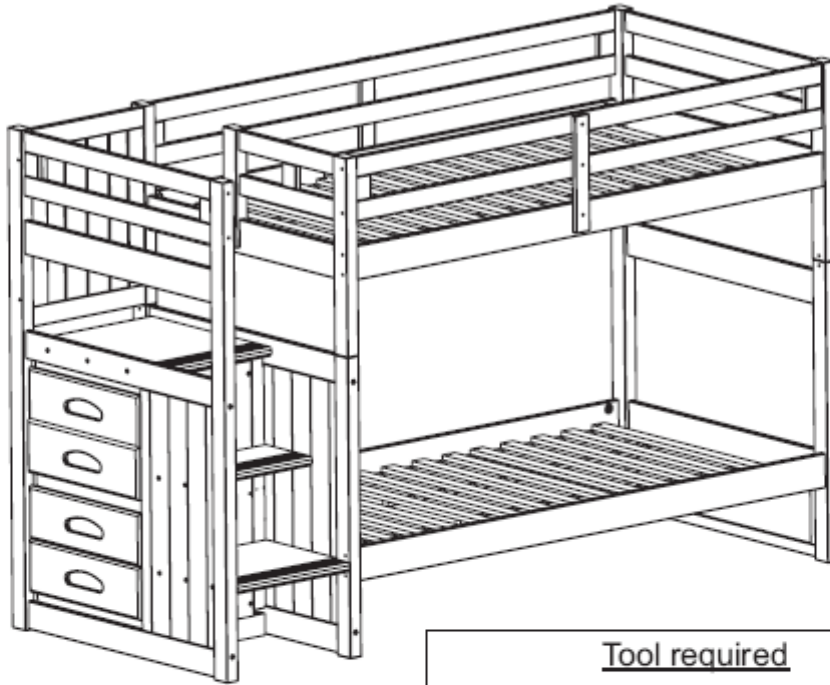
Use only mattress, foundation and deck combined which is 74-75 inches long and 37 ½-38 ½ inches wide on upper bunk.

Ensure thickness of mattress and foundation combined does not exceed 9 inches and mattress and is at least 5 inches below upper edge of guardrails.


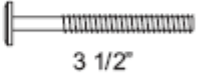

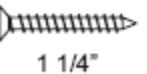

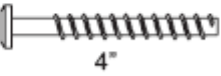

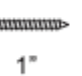

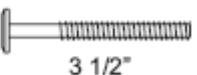


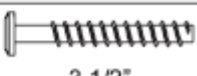


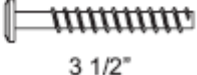



*****Replacement parts, including additional guardrails, may be obtained from any Harden dealer or directly from us at the below address.

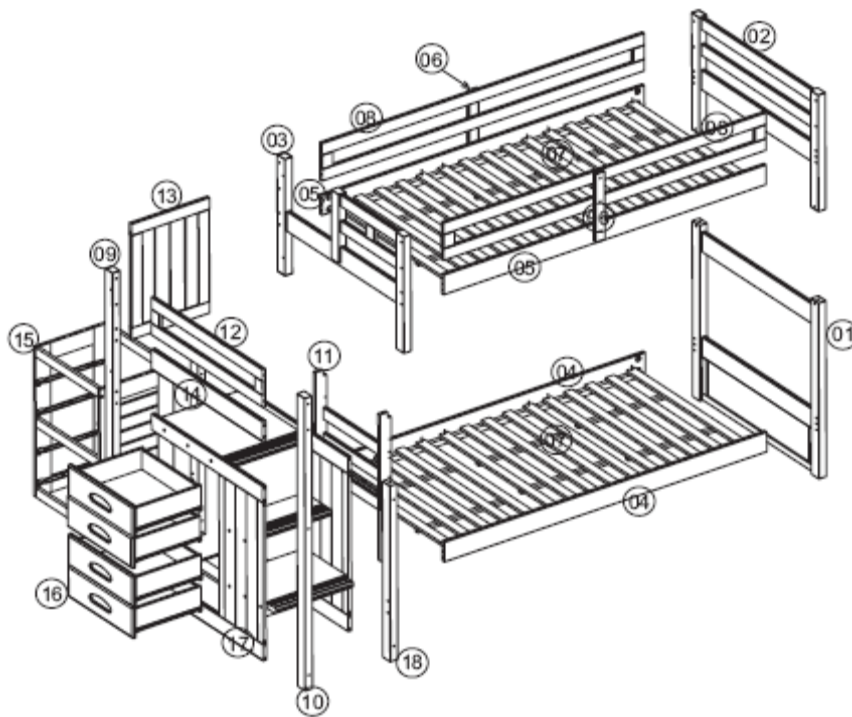
7155 State Hwy 13
Haleyville, AL 35565

Stair Stepper Bed Left Side Facing
 *For Right side facing go to page 10



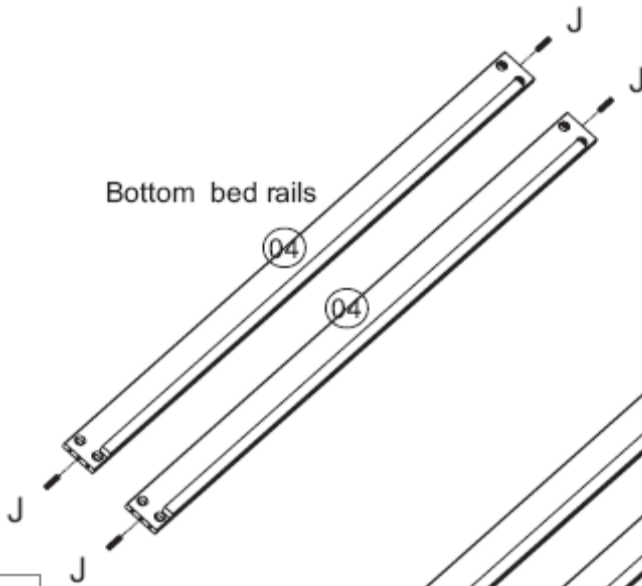
Tool required
 Number 3 Phillips screw driver

A		 3 1/2"	14	G		 1 1/4"	22
B		 4"	04	H		 1"	08
C		 3 1/2"	02	I		ALLEN WRENCH	01
D		 3 1/2"	02	J	 1 3/4"	06	
E		 3 1/2"	10	K	 3 1/2"	04	
F			16	L	 ALLEN BIT	01	



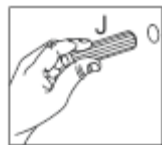
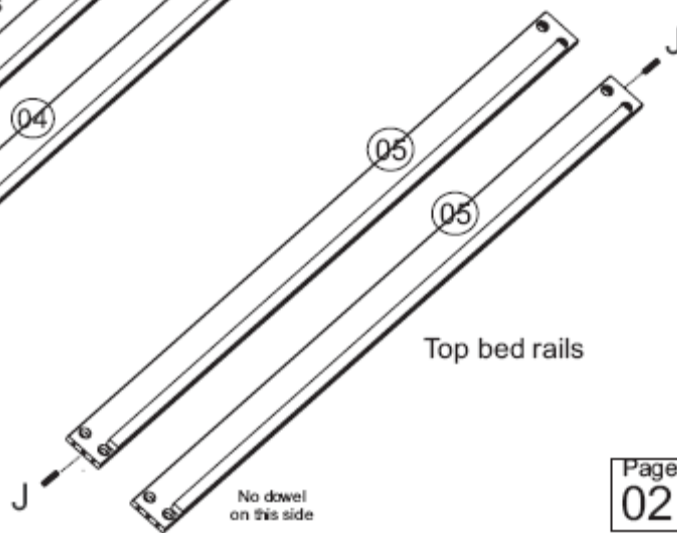
1

Bottom bed rails



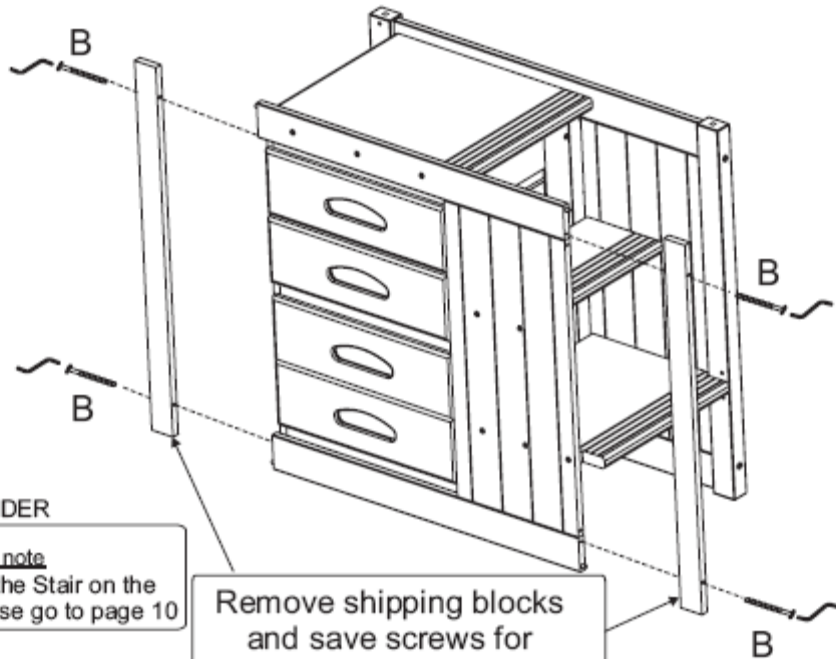
No dowel on this side

Top bed rails



Page
02

2



REMINDER

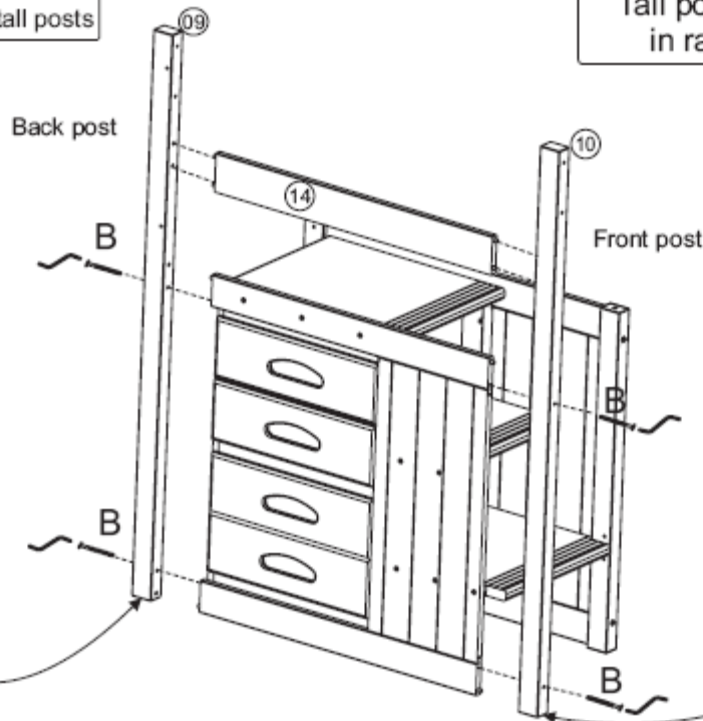
Important note
If you want the Stair on the right side please go to page 10

Remove shipping blocks and save screws for next step

3

Install tall posts

Tall posts located in rail box #3



Check stamp under the post

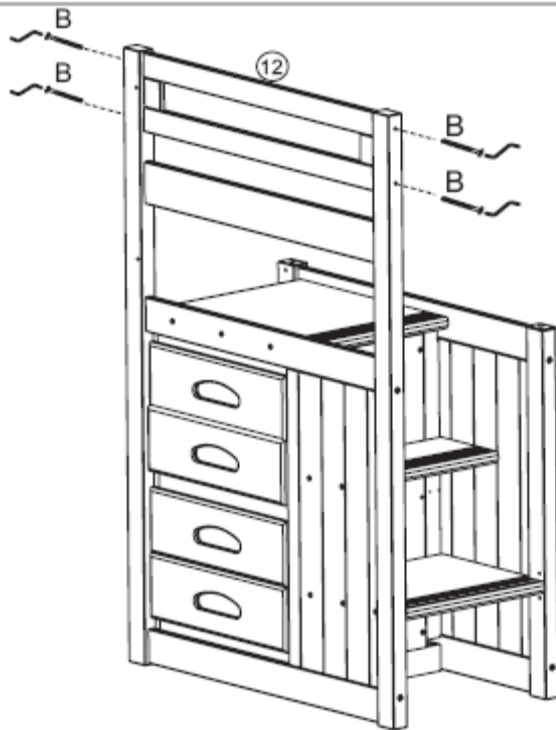
Back

Check stamp under the post

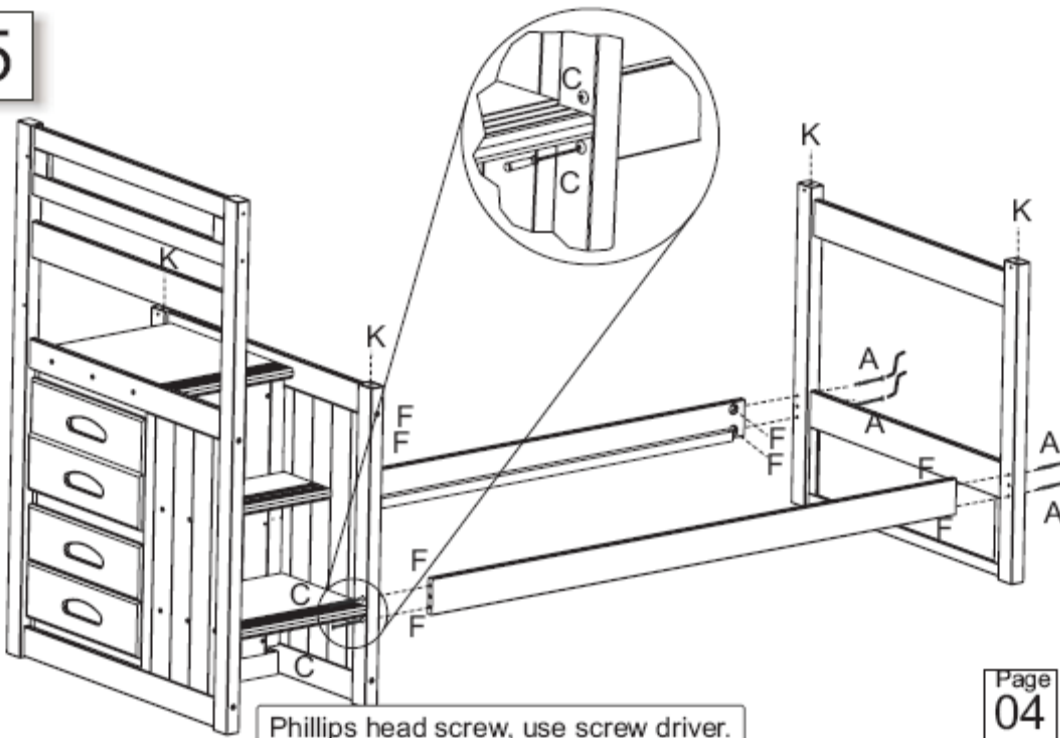
Front

Page
03

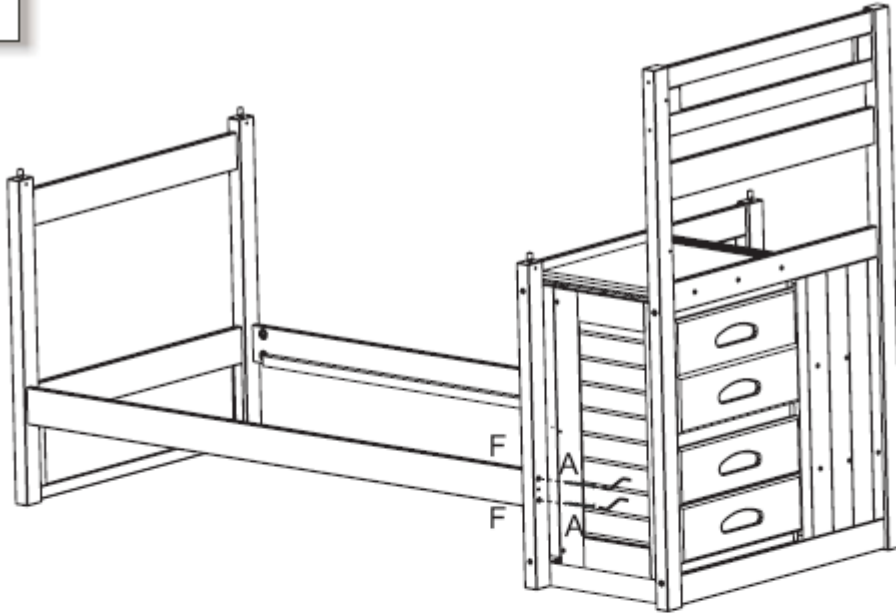
4



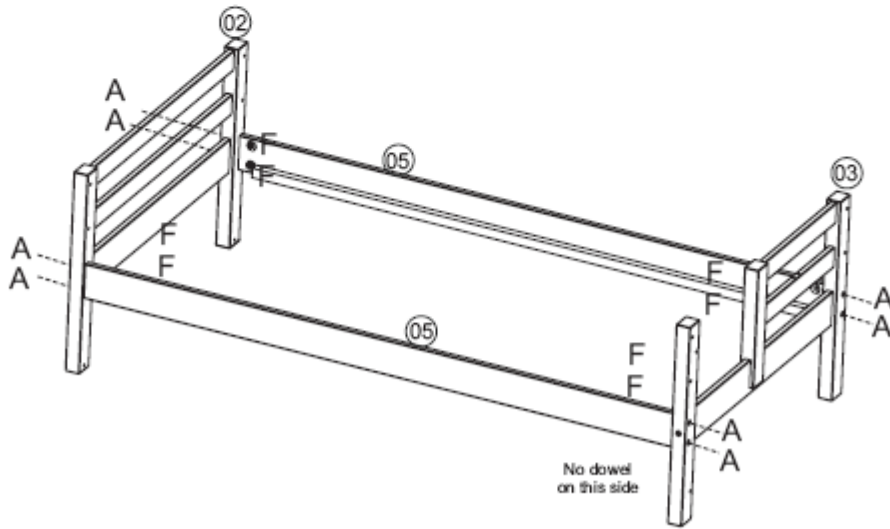
5



6

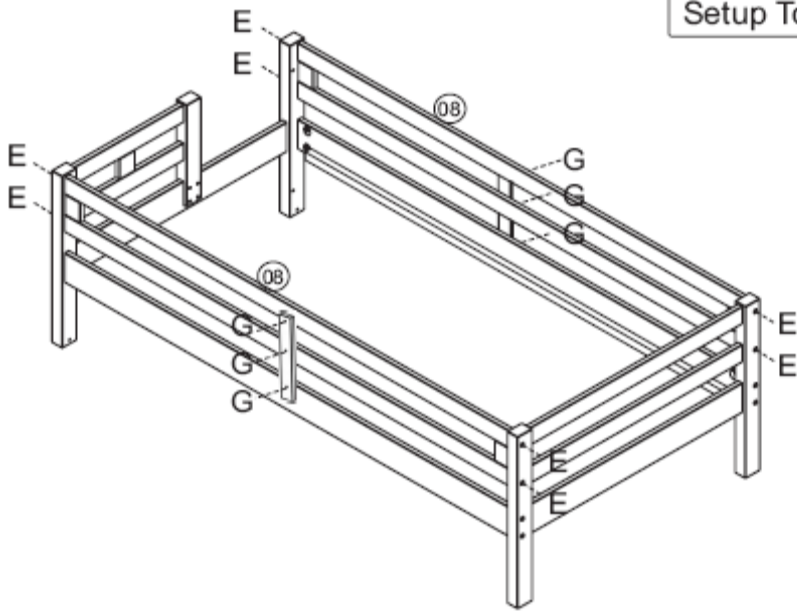


7



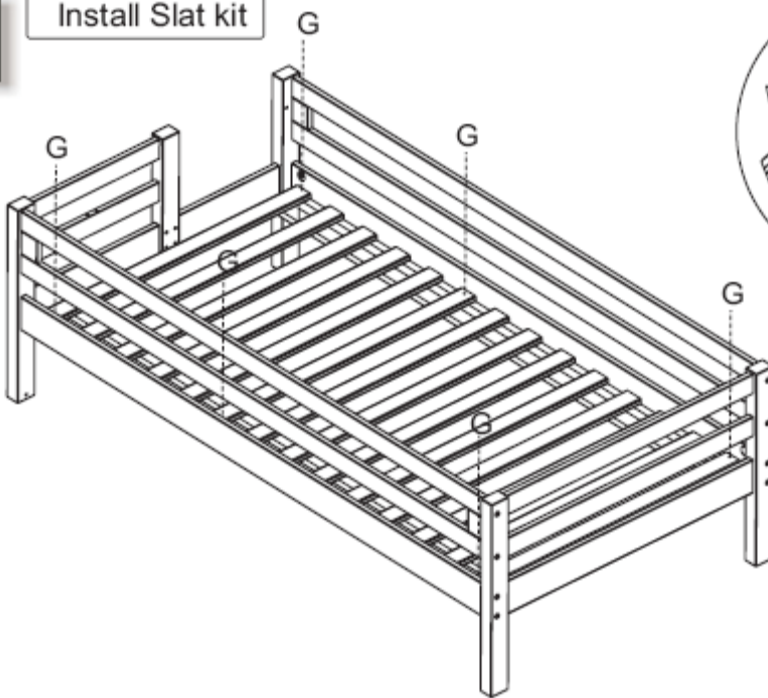
8

Setup Top Bed



9

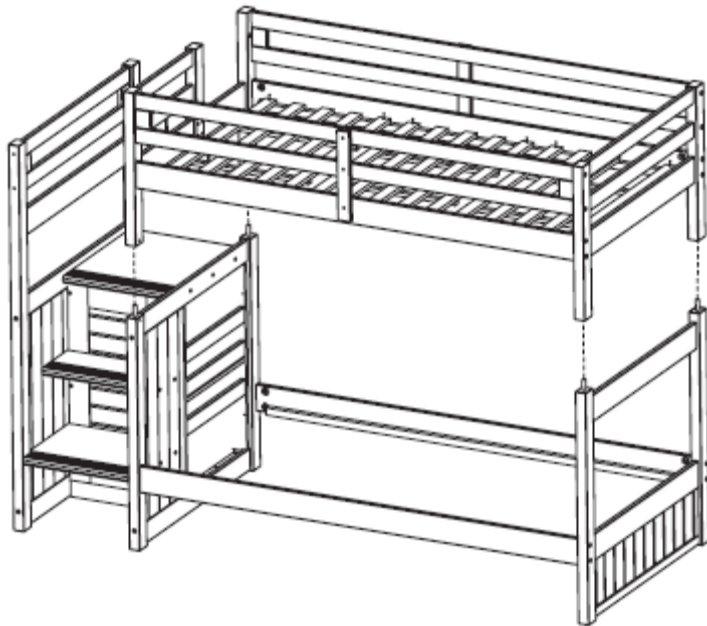
Install Slat kit



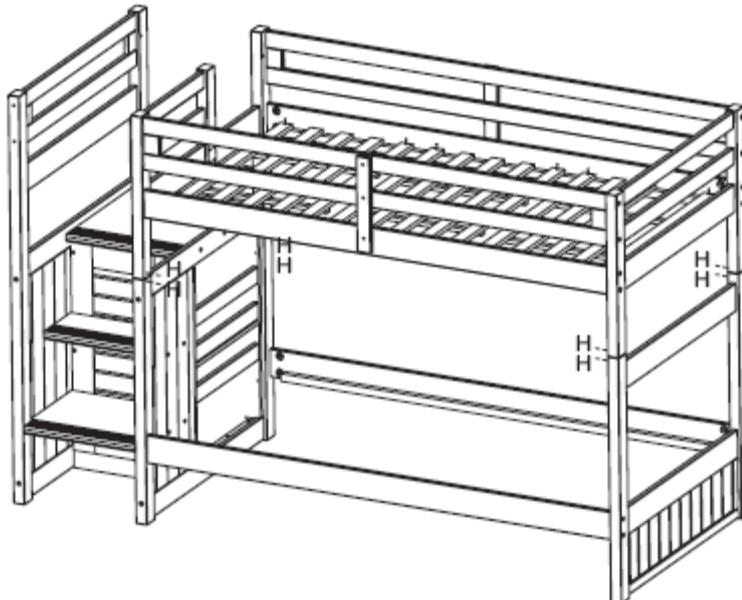
Always start assembling slat kit flush with cleat

10

Drop Top Bed in Place

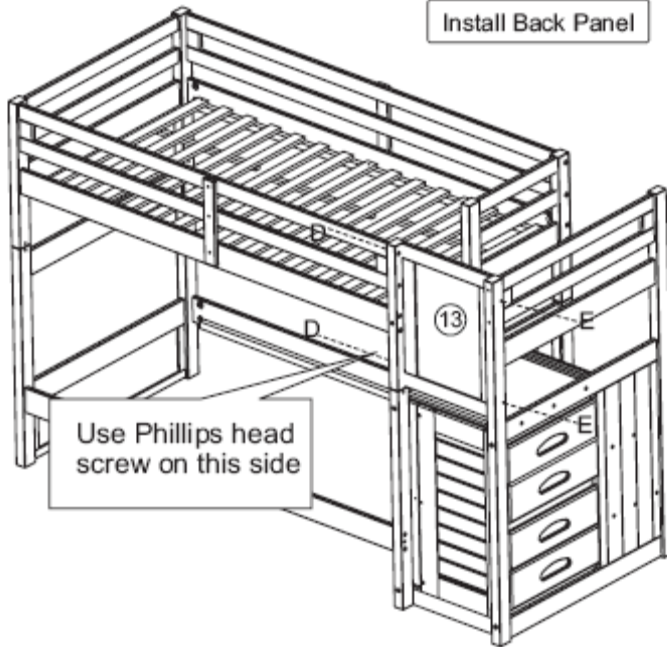


11

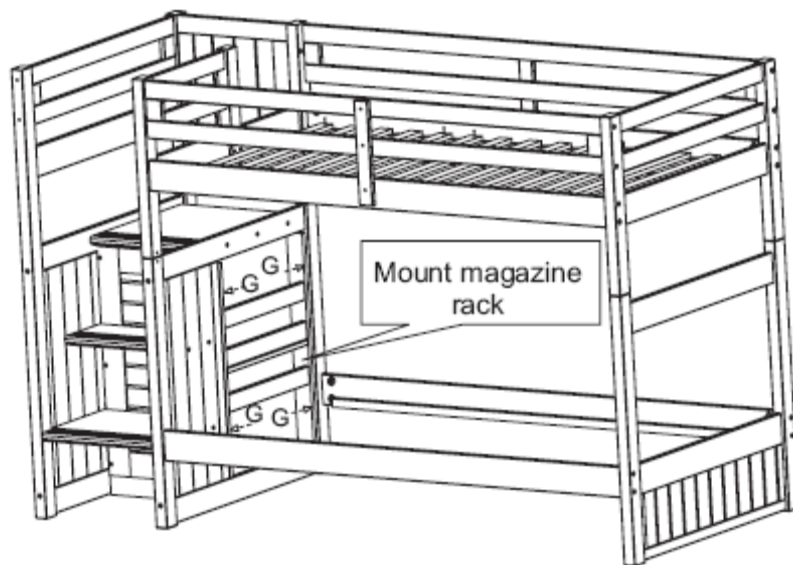


12

Install Back Panel

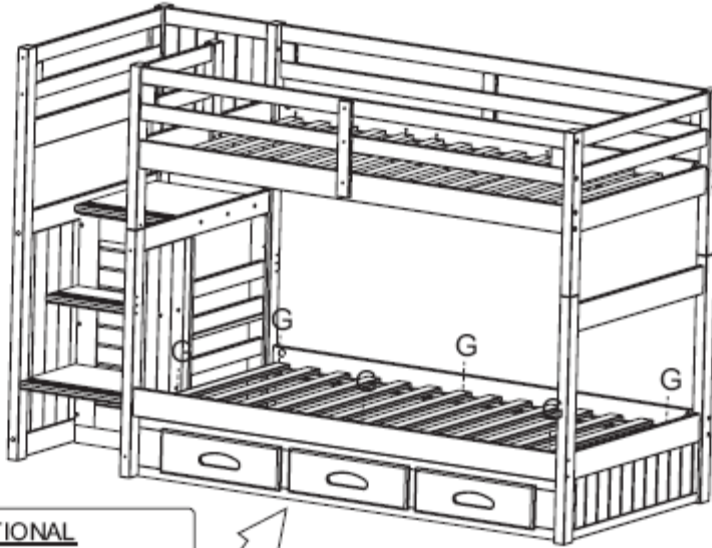


13



14

Install Bottom Slat Kit

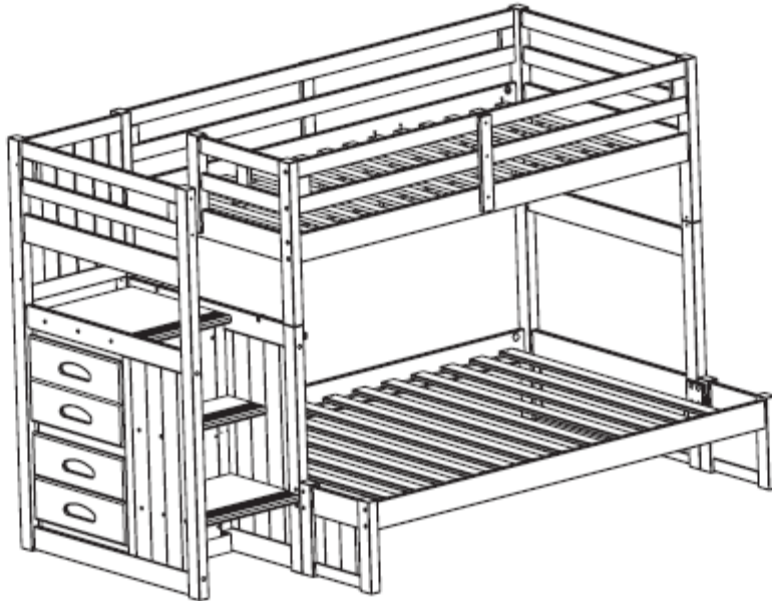


OPTIONAL
Pre-Assembled 3 Drawer Unit,
Simply Slide Under The Bunk

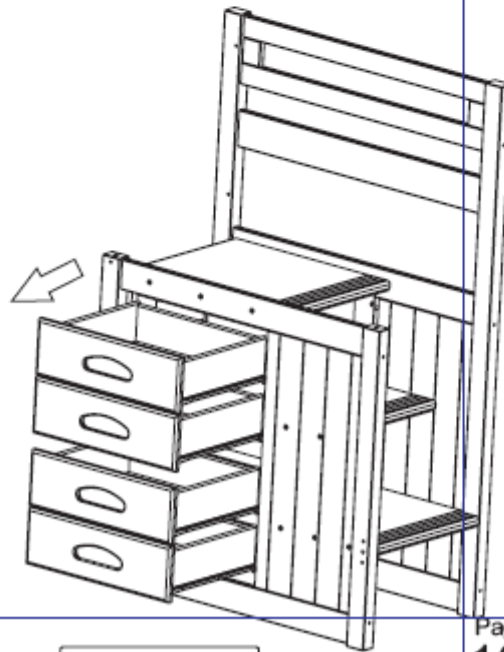
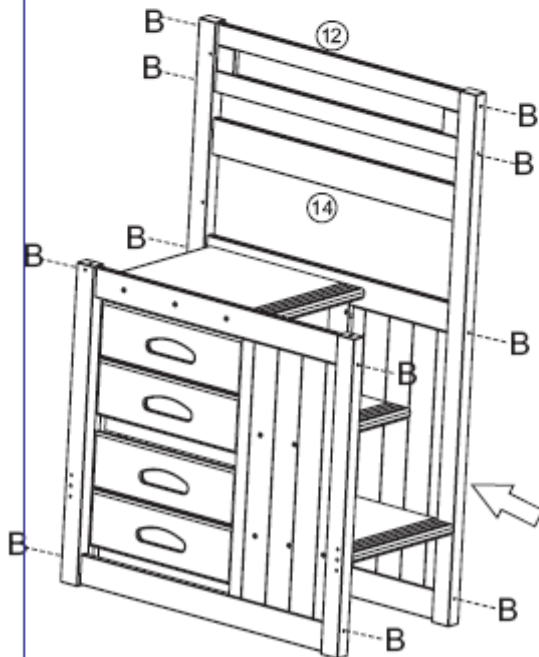
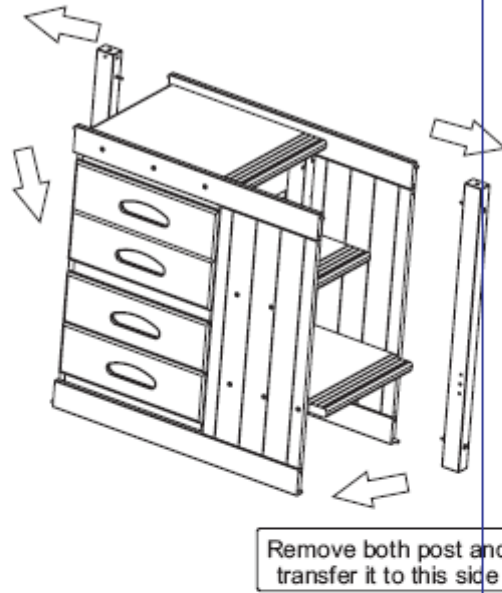
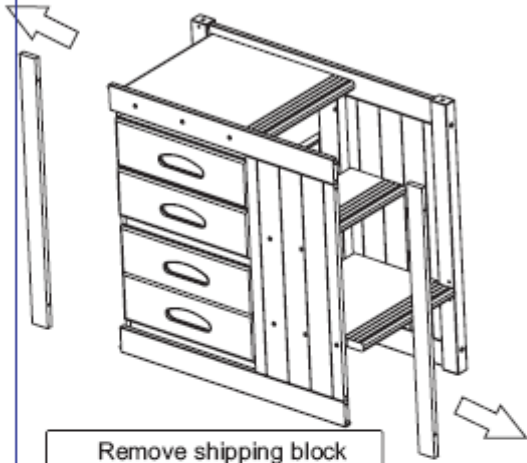


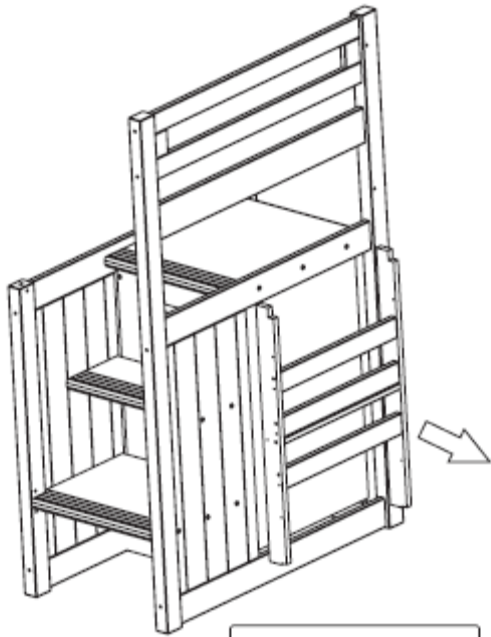
15

Shown With Optional Full Extension Kit

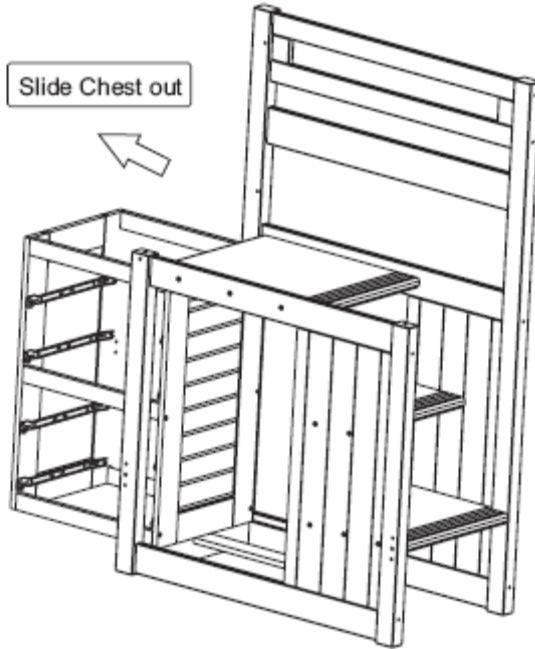


To Install stair case on
the right side follow these steps



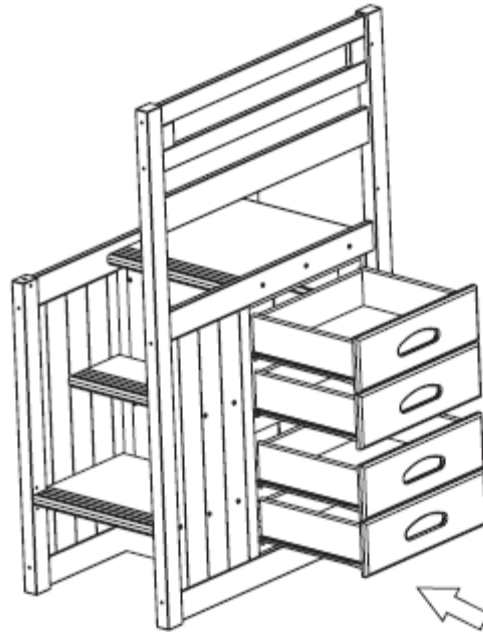
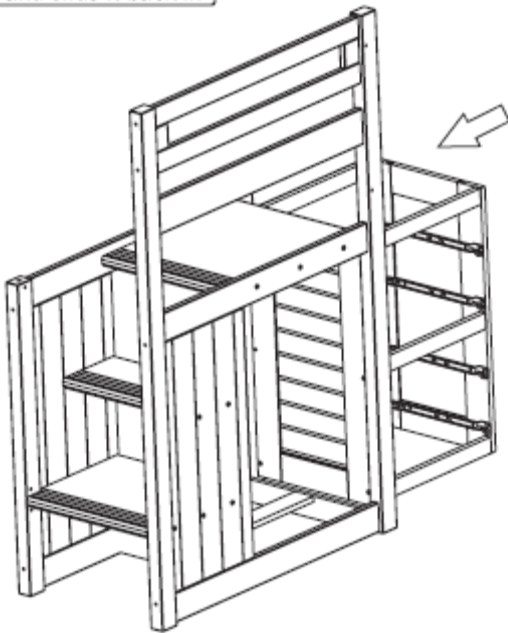


Remove Magazine Rack



Slide Chest out

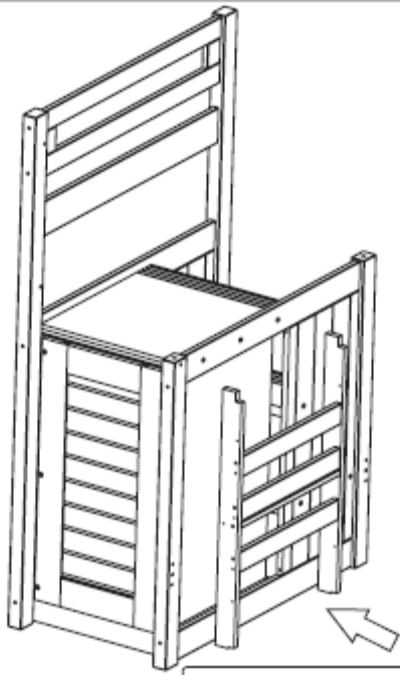
Turn chest around
and slide it back in



Slide Drawers back in

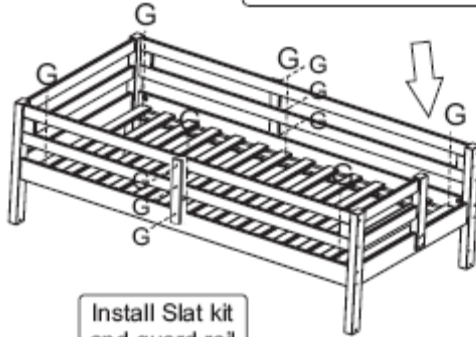
Page
11

Setup top bed

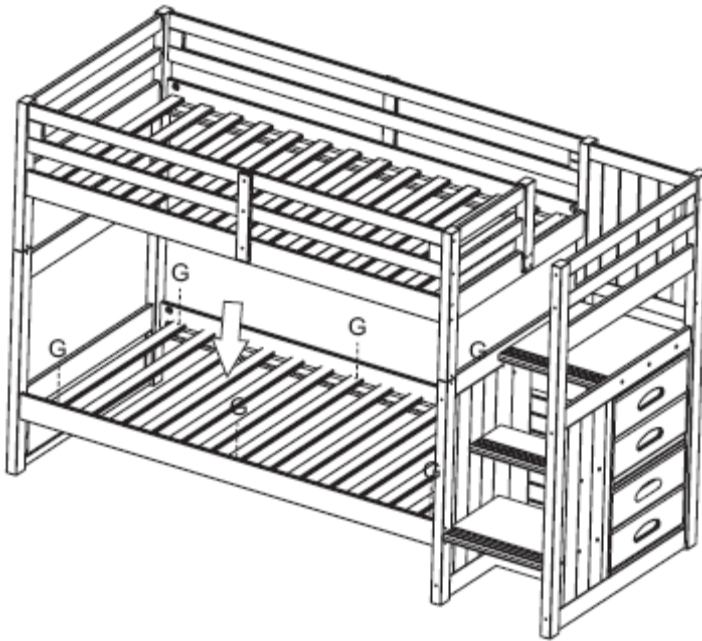


Insert Magazine Rack
back in and screw it in place

Make sure that the
opening is on the right
side as shown



Install Slat kit
and guard rail
support



Always start
assembling slat
kit flush with cleat